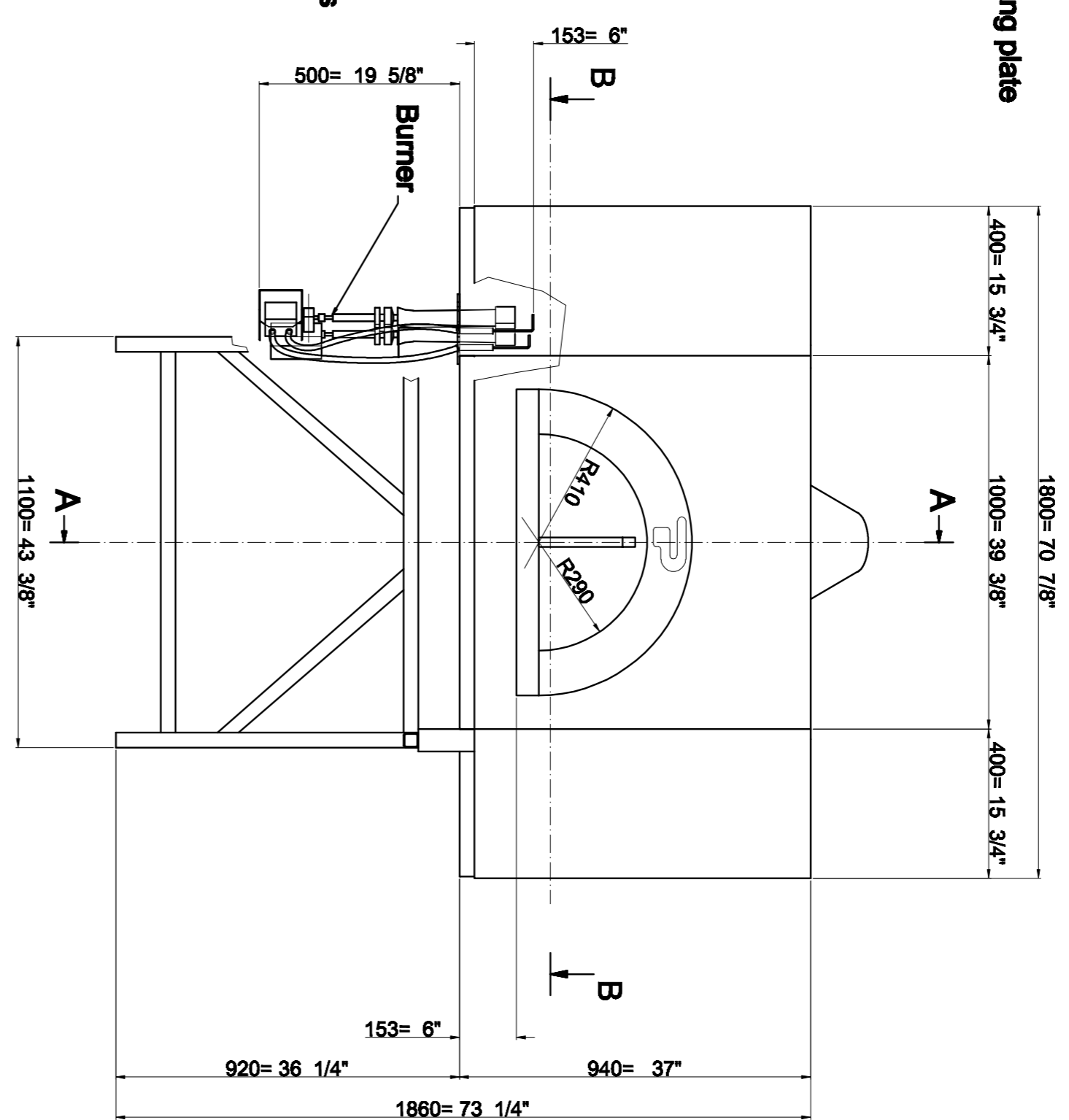
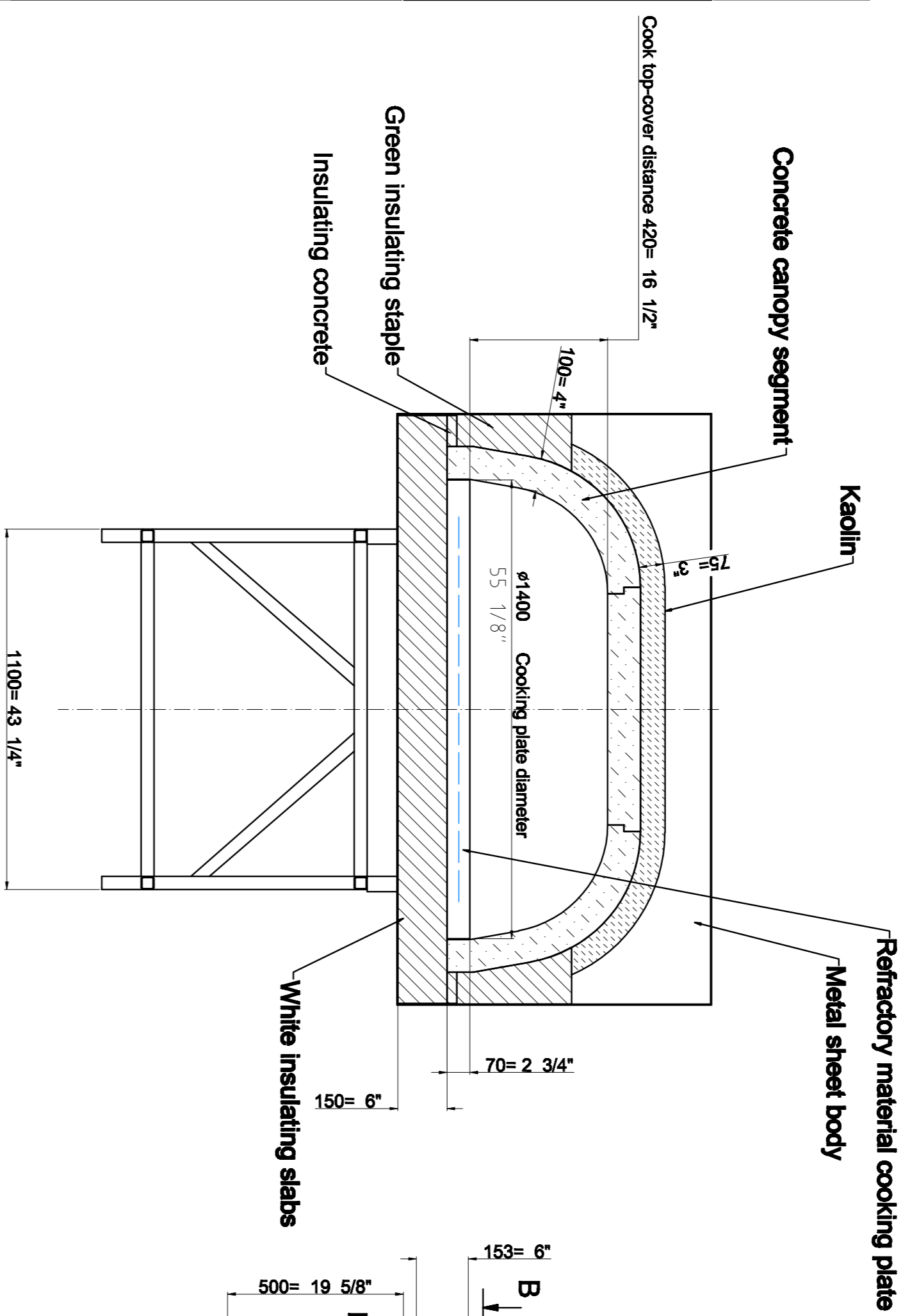
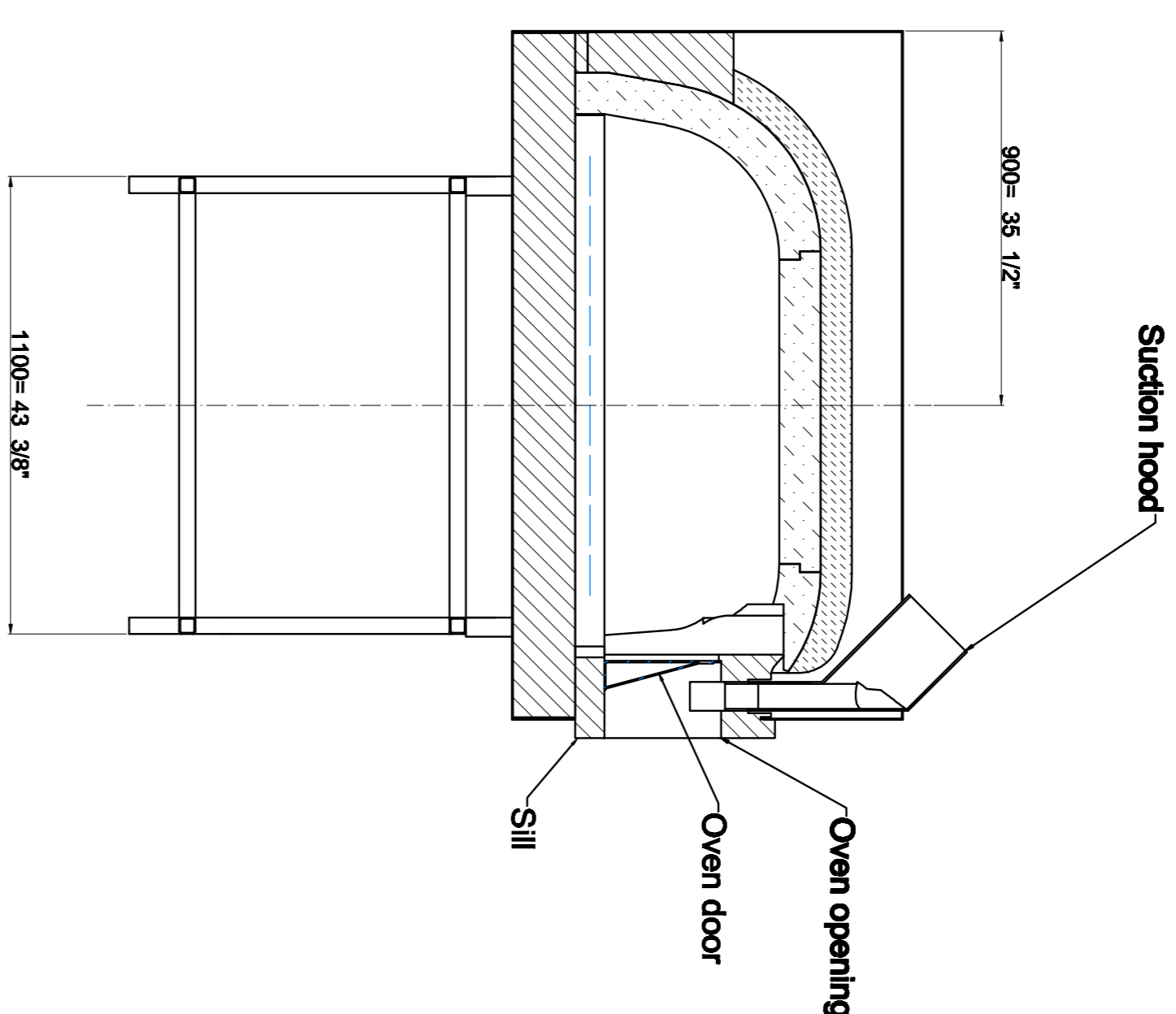


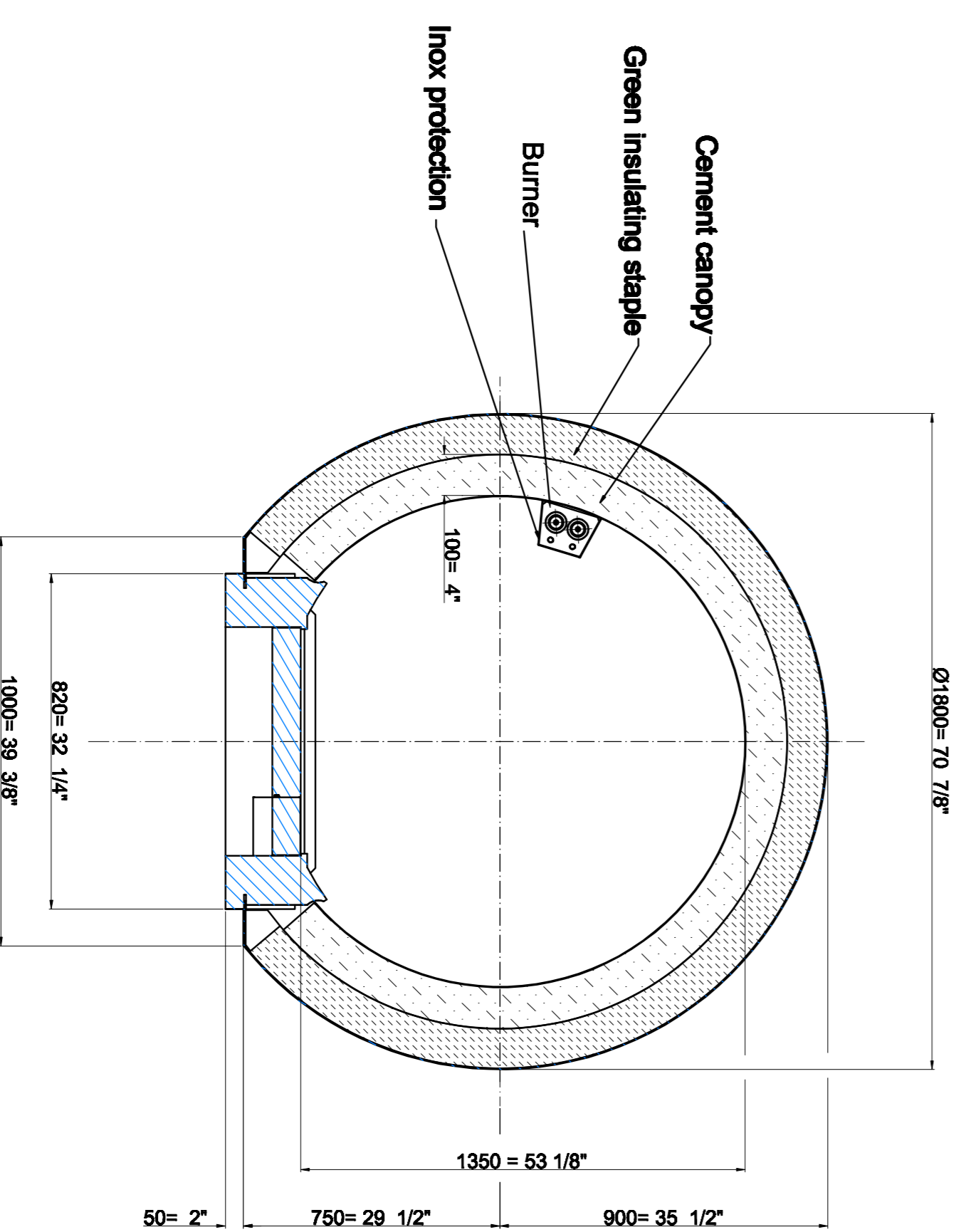
SECTION C-C



SECTION A-A



SECTION B-B



FILE: I:\317-0000-0013-1700DM-0000B-W-REV1

REV	DATE	BY	CHKD	DESCRIPTION
1				ISSUED FOR CONSTRUCTION

PROJ: RPN 140

SCALE: 1:10

DATE: 11/10

BY: RPN

CHKD: RPN

APP: RPN